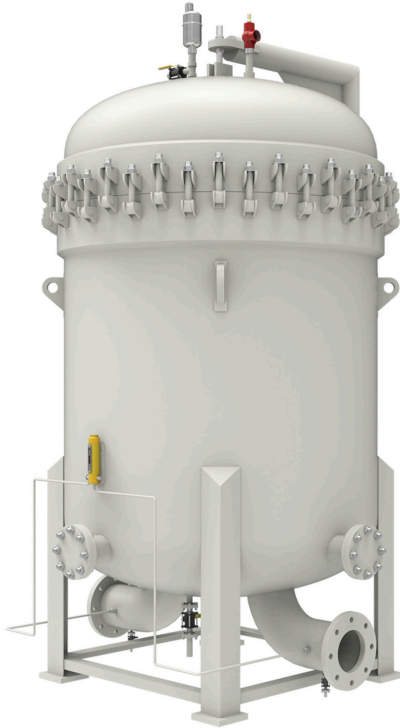


## Carbon and Clay Treater Housings

F Series



### Standard Housing Design

- Welded carbon steel construction
- ASME Code, Section VIII construction, stamped and certified
- Design pressure: 150 psi @ 250 °F (10.3 bar @ 121 °C)
- Inlet and outlet permanently marked
- Interior: Epoxy coated
- Exterior: Prime coated
- Removable cartridge mounting post
- Swing bolt closure
- Buna-N closure gasket
- Hydraulic headlift

### NPT Connections

- 1/4" differential pressure gauge
- 3/4" pressure relief valve and vent
- 2" main drain
- 1 1/2" side drain

### Options

- Automatic air eliminator
- Differential pressure gauge
- Pressure relief valve
- Sampling probe
- Cartridge hoist assembly
- Removable bundle design

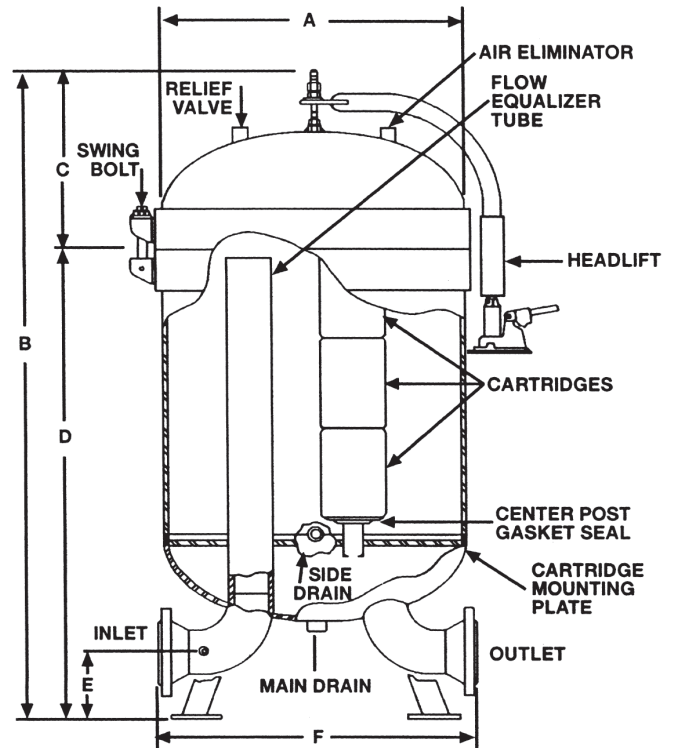
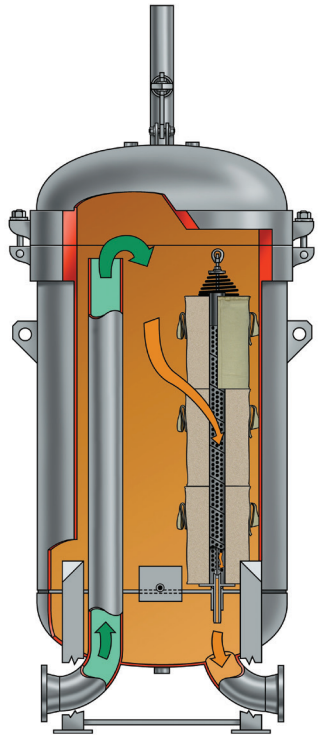
### DATA

| MODEL NUMBER | LIQUID VOLUME |      | REQUIRED CARTRIDGES | DRY WEIGHT |      |
|--------------|---------------|------|---------------------|------------|------|
|              | gal           | ltr  |                     | lbs        | kgs  |
| 13F3-C       | 288           | 1090 | 39                  | 1913       | 868  |
| 24F3-C       | 456           | 2067 | 72                  | 3250       | 1474 |
| 31F3-C       | 702           | 2657 | 93                  | 4459       | 2023 |
| 40F3-C       | 874           | 3308 | 120                 | 5380       | 2440 |
| 50F3-C       | 1167          | 4417 | 150                 | 6976       | 3164 |
| 60F3-C       | 1442          | 5458 | 180                 | 8298       | 3764 |
| 67F3-C       | 1570          | 5942 | 201                 | 9602       | 4355 |

Weights and volumes are approximate.

# Carbon and Clay Treater Housings

## F Series



### DIMENSIONS

| MODEL NUMBER | FLANGED INLET/OUTLET CONNECTIONS |     | DIMENSIONS |      |          |      |          |     |         |      |       |     |    |      | ANCHOR BOLT |      |           |    |
|--------------|----------------------------------|-----|------------|------|----------|------|----------|-----|---------|------|-------|-----|----|------|-------------|------|-----------|----|
|              |                                  |     | A          |      | B        |      | C        |     | D       |      | E     |     | F  |      | BOLT CIRCLE |      | BOLT HOLE |    |
|              |                                  |     | in         | mm   | in       | mm   | in       | mm  | in      | mm   | in    | mm  | in | mm   | in          | mm   | in        | mm |
| 13F3-C       | 4                                | 102 | 32         | 813  | 127 1/4  | 3232 | 12 3/4   | 324 | 87 1/2  | 2222 | 6     | 152 | 30 | 762  | 27 3/8      | 695  | 7/8       | 22 |
| 24F3-C       | 4                                | 102 | 42 3/4     | 1086 | 134 3/16 | 3408 | 16 3/4   | 425 | 90 1/16 | 2297 | 6     | 152 | 30 | 762  | 36 1/2      | 927  | 7/8       | 22 |
| 31F3-C       | 6                                | 152 | 48 3/4     | 1238 | 141      | 3581 | 18 3/4   | 476 | 95      | 2413 | 7 1/2 | 191 | 47 | 1194 | 40 1/4      | 1022 | 1 1/8     | 29 |
| 40F3-C       | 6                                | 152 | 54 3/4     | 1391 | 145 5/16 | 3691 | 20 13/16 | 529 | 97 1/4  | 2470 | 7 1/2 | 191 | 43 | 1092 | 50          | 1270 | 1 1/8     | 29 |
| 50F3-C       | 8                                | 203 | 60 3/4     | 1543 | 152 1/16 | 3878 | 23 1/4   | 591 | 102 3/4 | 2610 | 9     | 229 | 55 | 1397 | 52          | 1321 | 1 1/8     | 29 |
| 60F3-C       | 8                                | 203 | 67         | 1702 | 154 3/4  | 3931 | 25 3/8   | 645 | 102 3/4 | 2610 | 9     | 229 | 60 | 1524 | 52          | 1321 | 1 1/8     | 29 |
| 67F3-C       | 8                                | 203 | 73         | 1854 | 158      | 4013 | 27 5/8   | 702 | 104     | 2642 | 9     | 229 | 62 | 1574 | 56          | 1422 | 1 1/8     | 29 |

All dimensions are approximate and should be used for estimating purposes only.

#### NOTES:

- Housing model number will include cartridge model number when selected.
- Clay treater housings use Facet bag or canister style cartridges, 3 deep per stack.
- Clay cartridges are not installed at factory prior to shipment.
- Removable bundle design available on request. Contact your Facet Representative for details.